

504F/S 4-Way Ball Valve

Full Port or Standard Port
Double-L Flow Pattern



For Manual Service

General Chemical

Industrial

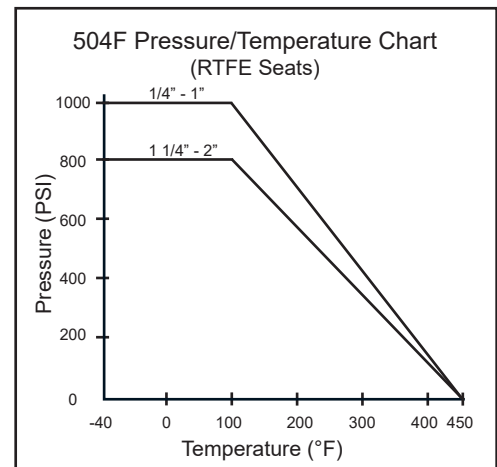
Corrosion Resistant
Applications

Standard Features and Benefits

- **Double-L Port Configuration**
- **High-Cycle, Live-Loaded Stem Packing**
Dynamic loading of stem packing ensures a tight seal through varying pressure and temperature conditions, reducing maintenance costs and extending service life
- **Blow-Out-Proof Stem**
Stem is bottom loaded to prevent removal when valve is in service
- **Balanced 4-Seat Construction**
Unlike two seated diverter valves, the 503 series has four seats for positive shut-off and balancing the ball
- **Reduces Number of Valves Required in Piping System**
- **Investment Cast**
High quality investment castings improve dimensional control and reduce porosity

Options

- **Material Test Reports Available Upon Request**

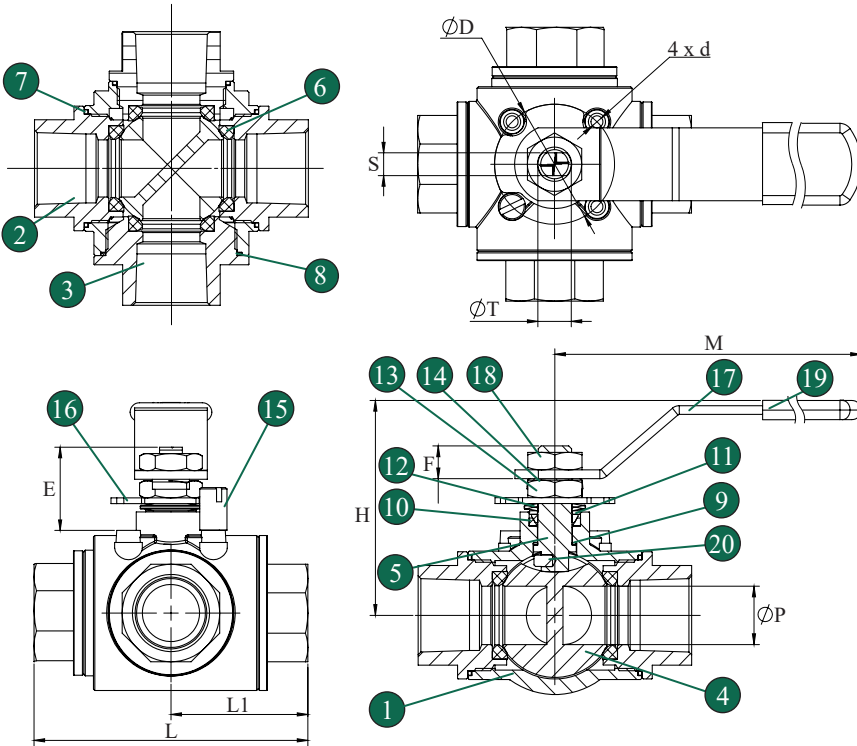


Operating Conditions

- Temperature Range (RTFE):
-40°F ~ 450°F
- Maximum Pressure (RTFE):
1000 PSI WOG (1/4" - 1")
800 PSI WOG (1 1/4" - 2")

Specifications

- All valves shell and seat tested to ANSI/ASME B16.34 and API 598
- NPT to ASME B1.20.1



Valve Components			
No.	Part Name	Material	Qty
1	Body	CF8M	1
2	End Cap (Small)	CF8M	3
3	End Cap (Large)	CF8M	1
4	Ball	316 SS	1
5	Stem	316 SS	1
6	Seat	RTFE (15% C.F.)	4
7	Body Seal (Small)	PTFE	3
8	Body Seal (Large)	PTFE	1
9	Thrust Washer	PEEK	1
10	Stem Packing Set	PTFE	1
11	Packing Gland	304 SS	1
12	Belleville Washer	301 SS	2
13	Gland Nut	304 SS	1
14	Gland Nut Lock Washer	304 SS	1
15	Stop Pin	304 SS	1
16	Stop Plate	304 SS	1
17	Handle	304 SS	1
18	Handle Nut	304 SS	1
19	Handle Cover	Vinyl	1
20	Stem Set Pin	316 SS	1

Dimensions (Inches)													
504F	504S	L	L1	P	M	H	E	F	D	d (mm)	S	T	Weight (lbs)
1/4"	-	2.71	1.35	0.43	5.8	2.3	0.93	0.37	1.42	M5 x 0.80 \pm 5.5	0.26	0.38	1.4
3/8"	1/2"	2.71	1.35	0.43	5.8	2.3	0.93	0.37	1.42	M5 x 0.80 \pm 5.5	0.26	0.38	1.4
1/2"	3/4"	3.14	1.57	0.59	5.8	2.4	0.87	0.35	1.42	M5 x 0.80 \pm 6.0	0.26	0.38	1.8
3/4"	1"	3.77	1.89	0.79	6.6	2.9	1.15	0.44	1.65	M5 x 0.80 \pm 6.0	0.31	0.46	3.0
1"	1 1/4"	4.37	2.18	0.98	7.7	3.5	1.36	0.50	1.97	M6 x 1.00 \pm 6.5	0.38	0.54	5.0
1 1/4"	1 1/2"	4.80	2.40	1.26	9.9	3.7	1.63	0.65	1.97	M6 x 1.00 \pm 7.0	0.38	0.70	7.4
1 1/2"	2"	5.67	2.84	1.57	9.9	4.1	1.65	0.68	1.97	M6 x 1.00 \pm 7.0	0.38	0.70	11.2
2"	-	6.69	3.34	1.97	12.3	5.2	1.95	0.81	2.76	M8 x 1.25 \pm 9.0	0.47	0.78	20.5

504F Ordering Information

Example: 2" Full Port Diverter Ball Valve with Lever Handle, 316 SS Body and Trim, RTFE (15% G.F.) Seats and PTFE Seal, NPT Ends, 4-Way Side Entry Double L-Port

504F	D	6	6	6	6	C	T	TT	7	D
Valve Series	Valve Size	Body Material	End Material	Ball Material	Stem Material	Seat	Seal	End Connection	Port Configuration	Ball Configuration
504F - Full Port 504S - Standard Port	2* 1/4" 3* 3/8" 5 1/2" 7 3/4" A 1" B 1 1/4" C 1 1/2" D 2"	6 - A351 Gr. CF8M (316)	6 - A351 Gr. CF8M (316)	6 - 316 SS	6 - 316 SS	C - RTFE (15% C.F.)	T - PTFE	T - NPT	7 - 4 Way Side Entry	D - Side Entry Double L-Port

Due to continuous product development, information may change without notice.

*Only available in Full Port



INLINE INDUSTRIES, INC.

9056 Garvey Avenue

Rosemead, CA 91770

Tel: (800) 568-8998

(626) 813-6188

Fax: (626) 813-6186

www.ballvalve.com

info@ballvalve.com

Distributed by: